

13" Curb Mount / Warehouse Installation Instructions



10821 North 23rd Avenue
Phoenix, AZ 85029
800-363-9865
www.nltubular.com

IMPORTANT: Please take the time to read through the ENTIRE instructions prior to starting any work. Light Pipe material is very sharp when cut. Please use extreme caution when handling the light pipe. AVOID LEAVING THE PIPE EXPOSED TO THE SUN WITHOUT THE PROTECTIVE COATING OR DIFFUSERS IN PLACE PRIOR TO INSTALLATION.

PARTS LIST

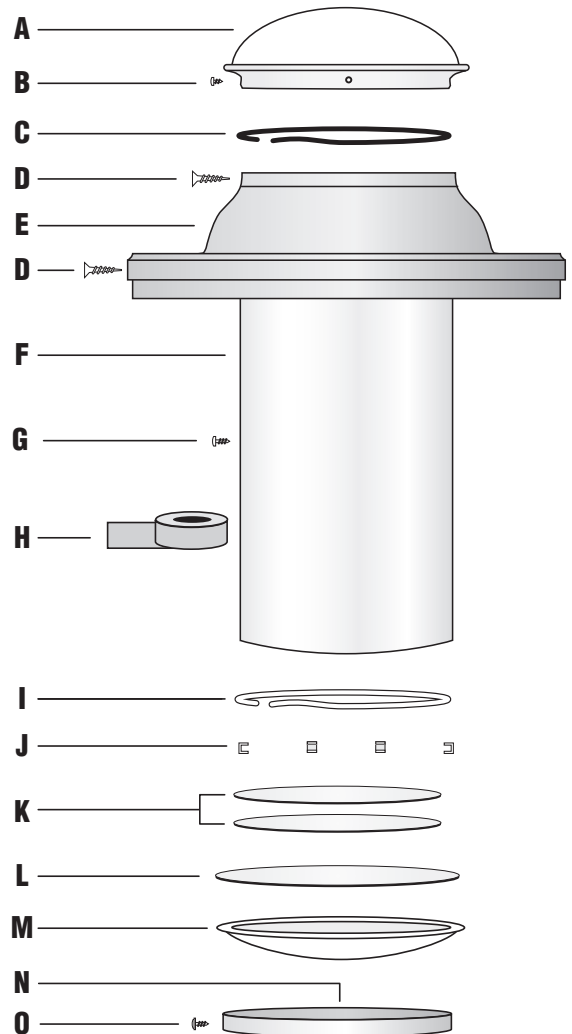
- A. Clear UV Protected, High Impact Acrylic Dome
- B. (4) Phillips Head Stainless Steel ¼" Self-Tapping Screws
- C. Black Nylon Horse Hair Gasket (self-adhesive)
- D. (8) 1 ½" Phillips Head Stainless Steel Screws
- E. Commercial Pure Grade Aluminum Curb Flashing
- F. Light Pipe, (2) 24" sections
- G. (8) Phillips Head Stainless Steel ½" Self-Tapping Screws
- H. Heavy Duty Foil Tape
- I. White Nylon Horse Hair Gasket (self-adhesive)
- J. (4) U-channel PVC self-adhesive tabs
- K. (2) Small Clear Polycarbonate Lenses
- L. (1) Large Clear Polycarbonate Lens
- M. High Impact Acrylic Diffuser
- N. Aluminum Warehouse Trim Ring
- O. (4) Phillips Head Stainless Steel ½" Sheet Metal Screws

TOOLS NEEDED

- Drywall Saw
- Reciprocating Saw
- Measuring Tape
- Driver & Bits
- Phillips Screwdriver
- Flashlight
- Stud Finder
- Marking Pencil
- Tin Snips
- Wire
- Hammer
- Safety Goggles
- Clamp

MATERIALS/TOOLS TO BUILD CURB

- 2" x 10" Pressure Treated Lumber
- Hand or Circular Saw
- Wood Screws
- Galvanized Nails
- Roofing Material (to match existing roofing)



IMPORTANT: Prior to beginning installation, it is critical to plan the placement of the tubular skylight so that curb flashing and ceiling trim ring are aligned. Ensure that the curb is not installed over any framing trusses. **DO NOT CUT ANY STRUCTURAL FRAMING.**

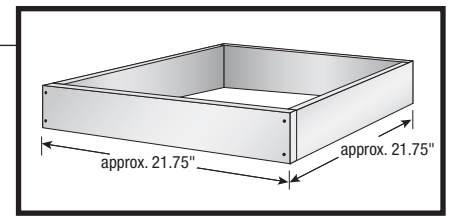
INSTALLATION POINTERS

- When determining location of the unit, southern exposure is recommended. Also consider potential problems such as objects shading the unit during certain times of the day.
- Although adjustable elbows are available for use, straight light pipe runs result in higher light output and easier installation.
- Prior to starting the job, cut packaging straps on the light pipe and uncoil the tubes.
- It is highly critical to check for obstructions above the ceiling which may hinder the installation. Check to ensure that there are no electrical wires or other obstructions where you plan to install the skylight.

Step 1

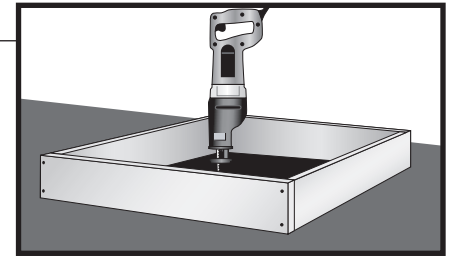
Assemble a curb with the **outside** dimensions slightly smaller than the width of flashing (approximately 21 3/4" x 21 3/4"). **The size of curb will vary depending on roofing material.** Use pressure-treated lumber secured at all four corners with wood screws or galvanized nails (use 2" x 10" lumber - adhere to local building codes).

NOTE: Do not build curb prior to being on job site.



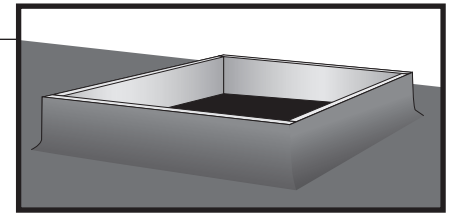
Step 2

From the roof, find the desired location to install the tubular skylight. Ensure that there are no obstructions (wiring, framing, etc.) to hinder the installation. Mount the curb to the deck centering the curb over the space between the trusses. Using a reciprocating saw, cut out opening. **DO NOT CUT STRUCTURAL FRAMING.**



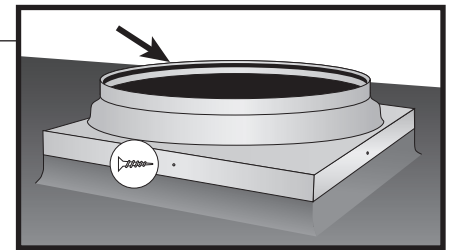
Step 3

Place curb over opening and toe-nail into existing roofing using galvanized nails. If necessary, build blocking to ensure the curb is secure. Wrap curb with roofing material to prevent leaking.



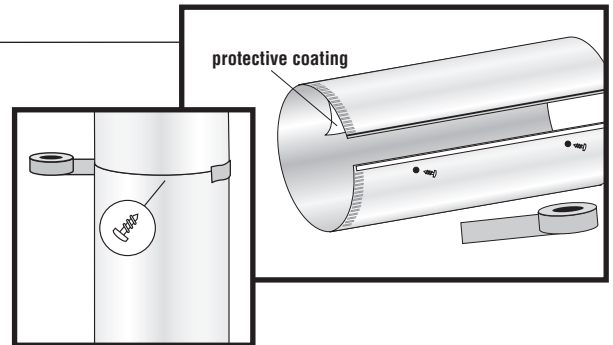
Step 4

Attach the skylight flashing (E) to the curb using the (4) 1 1/2" Phillips head stainless steel screws (D) provided through the pre-drilled holes on the skylight flashing lip. Peel the protective backing off the black nylon horse hair gasket (C) and apply gasket to the **INNER** lip the flashing collar.



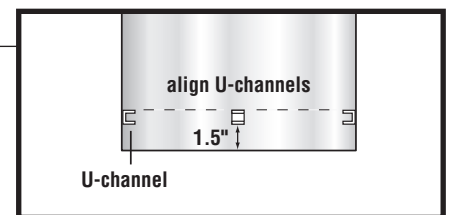
Step 5

To assemble light pipe (F), peel back the protective coating that covers the mirror coating about 1" from the opposite edge of the double sided tape. Remove paper backing from the double-sided tape and overlap tube ends and seal edges. Put pressure on both sides of seal to ensure a good bond. Secure tube using the (2) 1/2" self-tapping screws (G) provided. Then place foil tape (H) over the entire seam to strengthen seal. When joining two pipe sections together, place crimped end into the next section of pipe. Secure with (2) 1/2" self-tapping screws (G) provided and seal joints with foil tape.



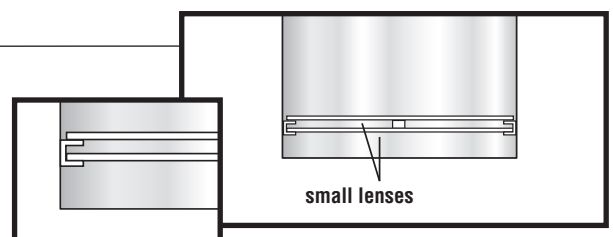
Step 6

Remove paper backing from the adhesive tape on the U-channels (J) and place 1.5" from bottom of light pipe equidistant from each other so legs of the U-channels align vertically.



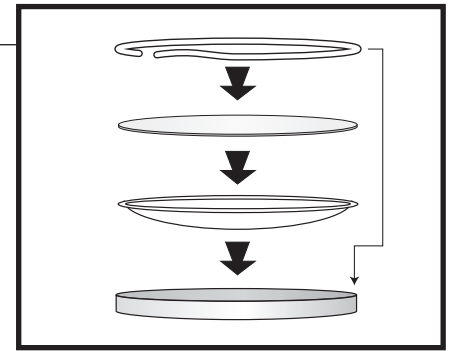
Step 7

Remove protective film from **both sides** of small lenses (K). Place one lens on TOP of the U-channel leg (J) and the other lens on the **BOTTOM** of U-channel leg (see close-up).



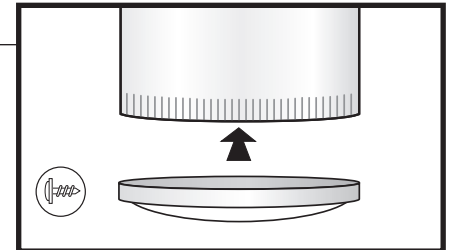
Step 8

Place light diffuser (M) inside of the warehouse trim ring (N). Peel the protective backing off the white nylon horse hair gasket (I) and apply gasket on the **INSIDE OF THE TRIM RING** just above the diffuser. Place gasket as close to diffuser as possible.



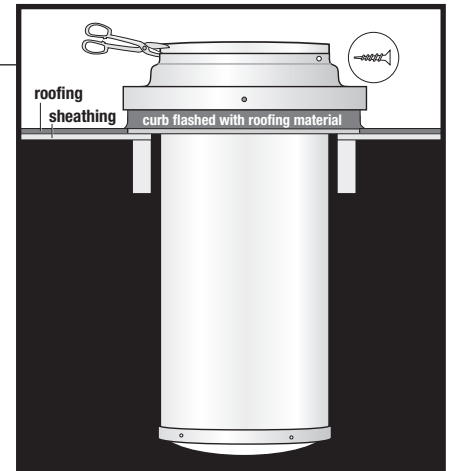
Step 9

Slide the trim ring assembly over the crimped edge of the light pipe until it is snug. Secure the trim ring to the light pipe using the (4) 1/2" sheet metal screws (O) provided.



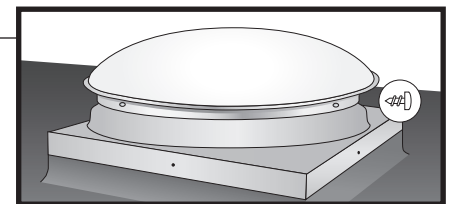
Step 10

Slide light pipe (with trim ring facing down) through the opening on the flashing. Secure the light pipe to the flashing with the (4) Phillips flathead 1 1/2" screws (D) provided through the (4) pre-drilled holes on the flashing lip. (To prevent light pipe from slipping through the hole, clamp light pipe to flashing or have someone hold it in place until it is secured.) If there is excess pipe sticking out of the flashing, using tin snips, cut from the top down to the lip of the flashing and trim off the excess pipe.



Step 11

Place the dome (A) on top of the flashing unit. Secure the dome to flashing by screwing in the (4) self-tapping Phillips head 1/4" screws (B) provided into the pre-drilled holes in the dome collar.



You can register online at www.nltubular.com or fill out the form and mail it to: Natural Light Energy Systems • 10821 North 23rd Avenue • Phoenix, AZ 85029

REGISTRATION

Natural Light Tubular Skylight Installer: _____

Customer Name: _____ Date of Purchase: _____

Address: _____

City: _____ State: _____ Zip: _____

Phone: _____ Email: _____

Customer Survey

Are you satisfied with the performance? Y N

Were you satisfied with the installation job? Y N